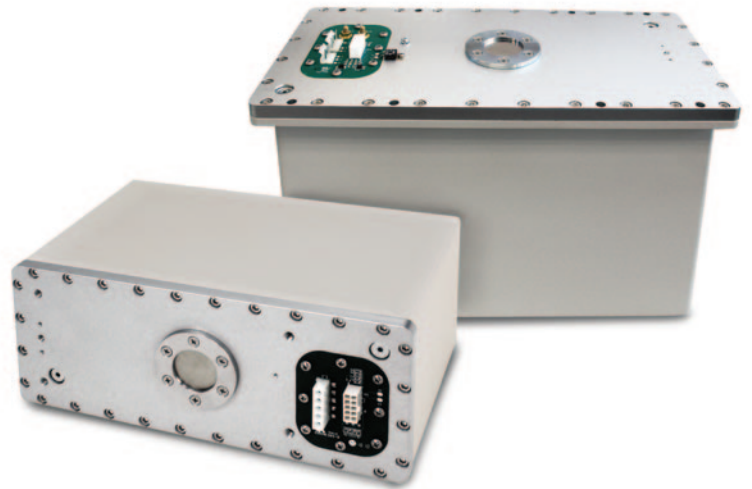


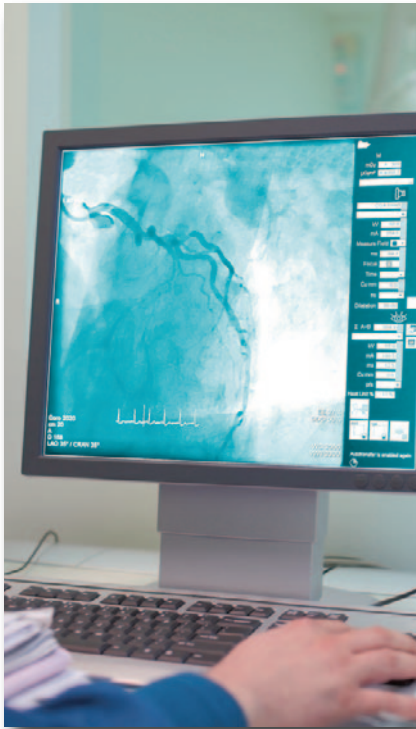
3.5kW/20kW

Ultra-Fast C-Arm Monoblocks[®] for Radiography and Fluoroscopy



spellmanhv.com

Surgical C-Arm Monoblocks®



Ultra-fast 3.5kW and 20kW Monoblocks® for Surgical C-Arms

Benefit from Spellman's 70 plus years of high voltage innovation with these Monoblock® X-Ray sources specifically designed for the C-Arm OEM. Our advanced technology and design expertise in conjunction with our depth of manufacturing capabilities position Spellman as the wise choice for your high voltage requirements.

Ultra-Fast MMB SERIES

Our unique technologies increase the quality of the X-Ray beam and significantly reduce the patient dose. Pulsed Fluoroscopy enhances imaging of dense and complex anatomy to further support dose management. With a rise time of as fast as $<1\text{ms}$, Spellman's MMB Series is among the fastest in the industry.

Let Spellman High Voltage be your total solution provider for Diagnostic Medical Imaging systems. We offer world-class manufacturing, full regulatory compliance and technical support, global service and seven decades of innovative engineering for unique custom products.



20kW 40-125kV

20kW 40-125kV $<1.5\text{ms}$

Our 20kW Monoblock® uses a rotating anode tube which will allow for much higher mA and average power vs a stationary tube

3.5kW 40-125kV $<1\text{ms}$

3.5kW Monoblock® with $<1\text{ms}$ rise time, perfect for extremities, specialized applications and vascular imaging

SPECIFICATIONS

Model	MMB3.5	MMB20
Input Voltage	190-264Vac	200-264Vac
Maximum Power	3.5kW	20kW
Output		
kV Range		40-125kV
kV Rise Time	< 1 msec	< 1.5 msec
kV Ripple		1%
kV Accuracy		± 2%
kV Overshoot		5%
mA Range		
Small Focus	0.2-10mA	up to 40mA
Large Focus	10-40mA	up to 200mA
X-Ray Tube		
Focal Spot		
Small Focus	0.5	0.3
Large Focus	1.6	0.6
Target Angle	16 degree	10 degree
Total Equivalent Filtration		>2mm Al
Tank Heat Spec		
Maximum Tank Heat		
Storage is no less than	630 kJ	888 kJ
Tank Maximum Cooling Rate	150W	200W

Please consult factory regarding product configuration, availability, full specifications and regulatory requirements for specific markets



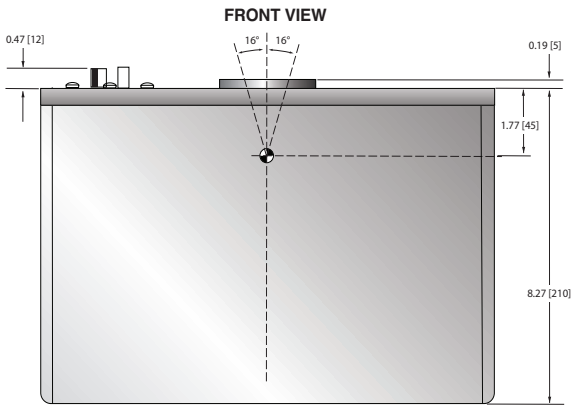
3.5kW 40-125kV

Spellman High Voltage— your single source for
 Medical Diagnostic Imaging Generators, Monoblock®
 X-Ray Sources and Medical Subsystems.

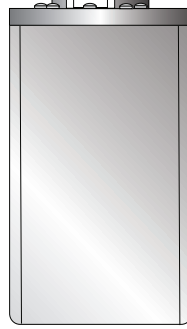


MMB 3.5kW

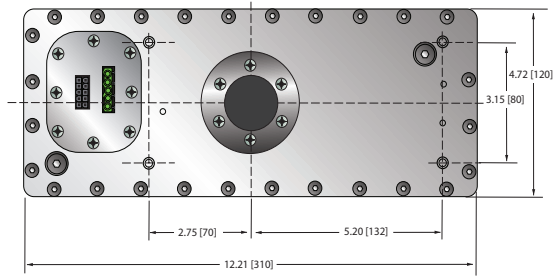
Dimensions: In. (mm)



SIDE VIEW

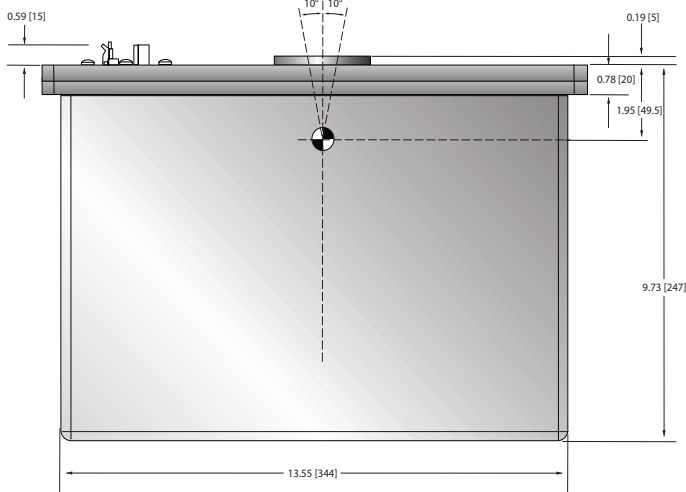


TOP VIEW



MMB 20kW

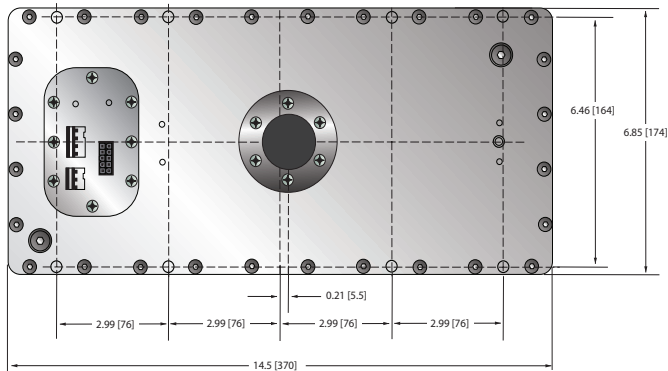
FRONT VIEW



SIDE VIEW



TOP VIEW



Spellman USA and Corporate HQ

475 Wireless Blvd.
Hauppauge, NY 11788
United States
tel: +1-631-630-3000
fax: +1-631-435-1620
email: sales@spellmanhv.com

Spellman Valhalla NY USA

One Commerce Park
Valhalla, NY 10595
United States
tel: +1-914-686-3600
fax: +1-914-686-5424

Spellman UK

Broomers Hill Park #14, Broomers Hill
Pulborough, West Sussex,
United Kingdom RH20 2RY
tel: +44 (0) 1798 877000
fax: +44 (0) 1798 872479

Spellman Japan

4-3-1 Kamitoda,
Toda-shi, Saitama-ken,
Japan 335-0022
tel: +81 (0) 48-447-6535
fax: +81 (0) 48-445-7280

Spellman China

Spellman High Voltage Electronics (SIP) Co Ltd.
No. 86 Jinjiang Road,
Suzhou Industrial Park 215217 China
tel: +86-512-67630010
fax: +86-512-67630030

Spellman High Voltage Korea Co.,Ltd.

#B-720, BRC Smart Valley,
Song Do Mirae-ro 30,
Yeonsu-Gu, Incheon, Korea 406-081
tel: +82-32-719-2300
fax: +82-32-720-4300

Spellman de Mexico – Plant 2

Avenida Pedregal # 2 Esquina
Avenida Chapultepec
Parque Industrial FINSA Oriente
Matamoros, Tamps., Mexico 87340
tel. +52 868 150-1200

Spellman de Mexico – Plant 3

Avenida Chapultepec # 101 Esquina
Avenida Horizonte
Parque Industrial FINSA Oriente
Matamoros, Tamps., Mexico 87340
tel. +52 868 150-1200

Spellman High Voltage GmbH

Josef-Baumann-Straße 23
44805 Bochum
Germany
tel: +49 (0) 234 87906-0

